

MAIN FEATURES

Sturdy encoder suitable for AC motor feedback, lift gears and heavy duty applications.

- Compact size
- Bidirectional signal with zero
- Up to 1024 ppr
- Line driver output
- 3000 rpm max
- Working temperature: -20° ... +85 °C



ORDERING CODE

EH 80 PF P 1024 Z 5 L 30 X 3 PR . XXX

SERIES
incremental encoder
series **EH**

SIZE
mm **80**

FIXING TYPE
through hollow shaft and fixing with
spring **PF**

TYPE
front fixing **A**
rear fixing **P**

RESOLUTION
ppr **1000 / 1024**

N.B.: please directly contact our offices for pulses availability

ZERO PULSE
without zero pulse **S**
with zero pulse **Z**

POWER SUPPLY
(available only with L electronic output) 5 V DC **5**
(available only with L or PC electronic output) 8 ... 24 V DC **8/24**
5 ... 28 V DC **5/28**

VARIANT
XXX custom version

OUTPUT TYPE
PR radial cable output (standard length 0.5 m)

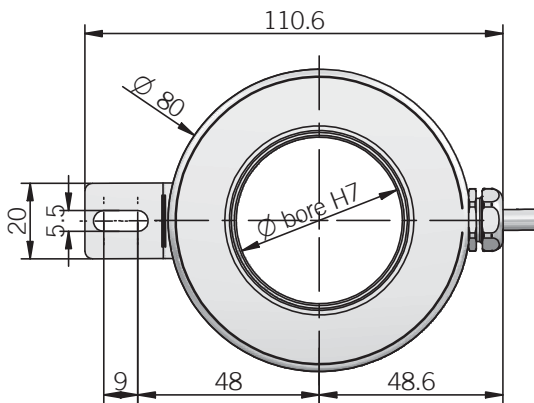
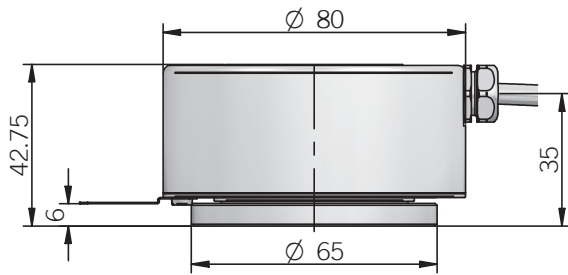
MAX ROTATION SPEED
3 3000 rpm

ENCLOSURE RATING
X IP 64

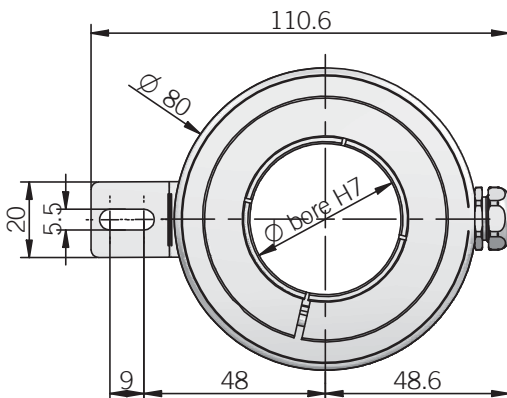
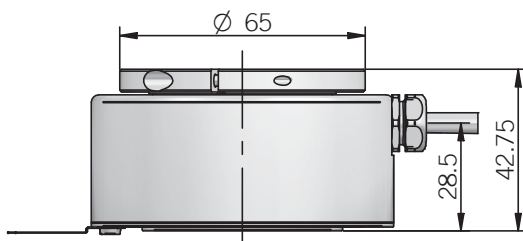
HOLLOW SHAFT
30 mm
35 mm
40 mm
44 mm (available only with A type)

ELECTRONIC INTERFACE
P push pull
PC protected push-pull (AEIC-7272)
L line driver

EH 80 PFA



EH 80 PFP



Electrical specifications

Resolution	1000 / 1024 ppr
Power supply	5 V DC \pm 10% 5 ... 28 V DC \pm 5% 8 ... 24 V DC \pm 5% (reverse polarity protection)
Current consumption without load	100 mA max
Max load current	20 mA for channel
Output type	push-pull line driver
Max output frequency	100 kHz
Counting direction	A leads B clockwise (shaft view)
Electromagnetic compatibility	IEC 61000-6-2 IEC 61000-6-4

Mechanical specifications

Bore diameter	model PFA: \varnothing 30 / 35 / 40 / 44 mm model PFP: \varnothing 30 / 35 / 40 mm
Enclosure rating	IP 64 (IEC 60529)
Max rotation speed	3000 rpm
Shock	50 G, 11 ms (IEC 60068-2-27)
Vibrations	10 G, 10÷2000 Hz (IEC 60068-2-6)
Body material	EN-AW 2011 aluminum
Shaft material	1.4305 / AISI 303 stainless steel
Housing material	EN-AW 2011 aluminum
Bearings	2 ball bearings
Bearings life	10 ⁹ revolutions
Operating temperature	-20° ... +85 °C
Storage temperature	-20° ... +85 °C
Weight	800 g

Connections and standard colours

Function	Push pull / Npn / Npn open collector	Line driver
+V DC	red	red
0 V	black	black
Ch. A	green	green
Ch. A-	/	brown
Ch. B	yellow	yellow
Ch. B-	/	orange
Ch. Z	blue	blue
Ch. Z-	/	white
—	shield	shield

