

MAIN FEATURES

Miniaturized \varnothing 38 encoder series. Recommended when a minimal size is required even providing excellent performances.

- Up to 1024 ppr with zero signal
- Several output types available
- Up to 24 V DC power supply
- Up to 100 kHz output frequency
- Cable output
- Up to 3000 RPM rotation speed
- Up to IP 54 sealing



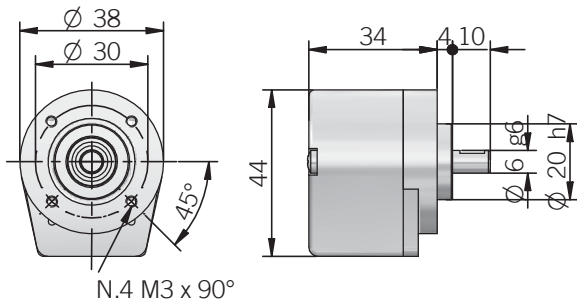
ORDERING CODE

EH 38 A 500 Z 5 N 6 X 3 PR . XXX

SERIES incremental encoder series EH	SIZE mm 38	TYPE fixing flange \varnothing 20 mm A square flange \square 36,5 mm B square flange \square 32 mm D	RESOLUTION ppr from 50 to 1024	ZERO PULSE without zero pulse S with zero pulse Z	POWER SUPPLY 5 V DC 5 8 ... 24 V DC 8/24	VARIANT XXX custom version	OUTPUT TYPE PR radial cable output (standard length 0.5 m)	MAX ROTATION SPEED 3 3000 rpm	ENCLOSURE RATING X IP 54	SHAFT DIAMETER 6 mm	ELECTRONIC INTERFACE N NPN C NPN open collector P push-pull PC protected push-pull (AEIC-7272) L line driver
-------------------------------------------------------	-----------------------------	-------------------------------------------------------------------------------------------------------------------------------------------------	--------------------------------------------------------	------------------------------------------------------------------------------	---------------------------------------------------------------------	---------------------------------------------	-----------------------------------------------------------------------------	------------------------------------------------	-------------------------------------------	-------------------------------	-----------------------------------------------------------------------------------------------------------------------------------------------------------------------

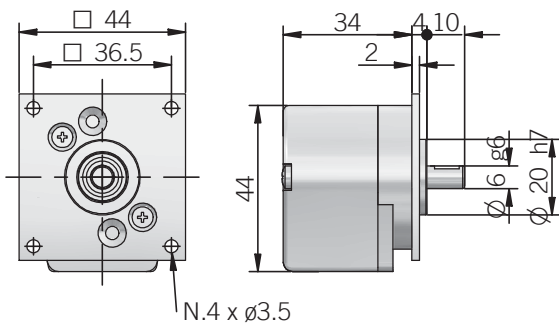
N.B.: please directly contact our offices for pulses availability

EH 38 A



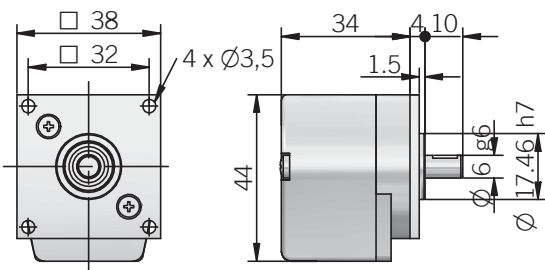
N.4 M3 x 90°

EH 38 B



N.4 x Ø3.5

EH 38 D



Electrical specifications

Resolution	from 50 to 1024 ppr
Power supply	5 V DC \pm 10% 8 ... 24 V DC \pm 5%
Current consumption without load	100 mA max
Max load current	50 mA for channel 20 mA for channel (line driver)
Output type	NPN NPN open collector push-pull line driver
Max output frequency	100 kHz
Counting direction	A leads B clockwise (shaft view)
Electromagnetic compatibility	IEC 61000-6-1 IEC 61000-6-4

Mechanical specifications

Shaft diameter	ϕ 6 mm
Enclosure rating	IP 54 (IEC 60529)
Max rotation speed	3000 rpm
Max shaft load	5 N (0.5 kp) axial 5 N (0.5 kp) radial
Shock	50 G, 11 ms (IEC 60068-2-27)
Vibration	10 G, 10 ... 2000 Hz (IEC 60068-2-6)
Body material	aluminum UNI 5076
Shaft material	1.4305 / AISI 303 stainless steel
Housing material	PA66 glass fiber reinforced
Bearings	2 ball bearings
Bearings life	10 ⁹ revolutions
Operating temperature	-20° ... +70°C
Storage temperature	-25° ... 70°C
Weight	100 g

Connections and standard colours

Function	Push pull / Npn / Npn open collector	Line driver
+V DC	red	red
0 V	black	black
Ch. A	green	green
Ch. A-	/	brown
Ch. B	yellow	yellow
Ch. B-	/	orange
Ch. Z	blue	blue
Ch. Z-	/	white
⏏	shield	shield